

AT8662

GENUINE
ACCESSORIES

MICROPHONE SHOCK MOUNT (for Unipoint Series Gooseneck Microphones)



- Intended for use with gooseneck microphones mounted on lecterns, pulpits, conference tables and similar surfaces.
- Effectively isolates microphone from noise, shock and vibration transmitted through the mounting surface.
- Eliminates pickup of low-frequency resonances caused by mechanical coupling.

DESCRIPTION

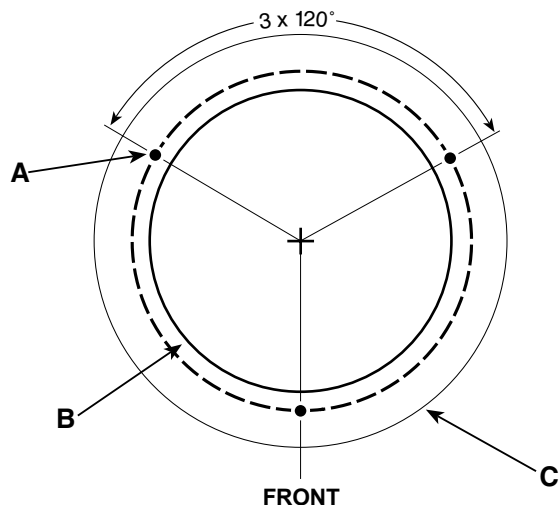
The Audio-Technica Shock Mount for Unipoint Series Gooseneck Microphones is designed to secure the Audio-Technica Unipoint series gooseneck microphones onto podiums, desktops, etc. The AT8662 effectively isolates the microphone from noise, shock and vibration transmitted through the mounting surface and eliminates pickup of low-frequency resonances caused by mechanical coupling. Ideal for use with 19mm diameter gooseneck and quick-mount type microphone using industrial standard XLRM 3-pin type connectors.

COMPATIBLE MICROPHONES

UniPoint® Series	AT859QMLa
	U857Q U857QU
	U857QM U857QMU
	U857QL U857QLU
	U857QSU
	U859QL

INSTALLATION

1. Locate the center of the mounting location and mark it. **Allow enough clearance to accommodate the shock mount's flange on the desired surface and make certain there are no physical obstructions below the desired location.**
2. Using a 51.0mm hole saw, drill the large through-hole for the shock mount.
3. Set the shock mount into the hole and mark the location of the three mounting screw holes. **Make certain to "center" the mount in the large hole before marking the three small mounting screw locations.**
4. Using a 1.5mm drill bit, drill three pilot holes for the mounting screws.
5. After installing the microphone, assure maximum shock mount effectiveness by providing some slack in the connecting cable.



MOUNTING DIMENSIONS

- A** 1.5 mm pilot holes 3 places on 58.2mm circle.
- B** 51 mm thru-hole for mount clearance.
- C** Outside edge of flange, 71.0 mm diameter.

 **audio-technica**
Machida • Tokyo • Japan

AT8662

GENUINE
ACCESSORIES

桌面式防震话筒座 (适用于 Unipoint 系列鹅颈话筒)



- 适合于讲台、论坛、会议桌面或其他同类的平面上，配置鹅颈式话筒安装使用。

- 有效隔话筒安装面上，因受撞击和震动出现的噪音。

- 消除所接收到因机械性耦合而引起的低频共振。

说明

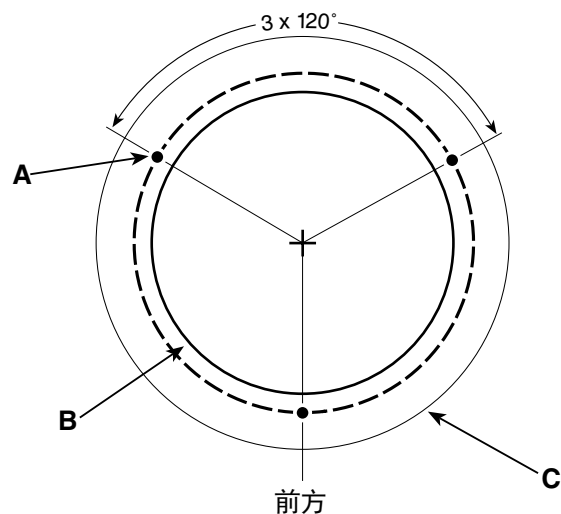
此鐵三角桌面防震话筒座，主要为Unipoint系列的鹅颈话筒而设计。AT8662设有防震绝缘胶，能有效减低安装面上的撞击和震动，并消除所收到因机械性耦合而引起的低频共振噪声。此话筒座配合19mm直径鹅颈式3针卡农公头的会议话筒后，非常适合使用在演讲、教学、会议、论坛的场合使用。

兼容话筒型号

UniPoint® 系列	AT859QMLa
	U857Q U857QU
	U857QM U857QMU
	U857QL U857QLU
	U857QSU
	U859QL

安装

1. 定下和标记出话筒座的安装位置中心点。需预留足够空间给话筒座的凸缘外边，并确定在该位置上没有实质的阻碍。
2. 使用一个直径 51.0mm 的开孔器，开出一个足够把话筒座套下的通孔。
3. 把话筒座套下於通孔中，并标记出3个螺丝孔的位置。在标记3个螺丝孔前，请确定话筒座是放置于“中心”点中。
4. 使用直径 1.5mm 的小钻咀，在3个螺丝孔位置上钻下3个导孔，再装上3枚螺丝把话筒座固定。
5. 话筒座安装好後，把话筒套在防震圈的中央，并预留足够的连接线松弛度，以提供有效的防震效能。



底座架尺寸

A 置于直径 58.2 mm 圆形上的 3 个直径 1.5 mm 导孔。

B 直径 51 mm 的通孔，可把话筒座套下。

C 直径 71.0 mm 的凸缘外边。



audio-technica®

鐵三角®

Machida • Tokyo • Japan